

Using The ERS-560 PROGRAMMING FLOWCHART

OPERATING INSTRUCTIONS

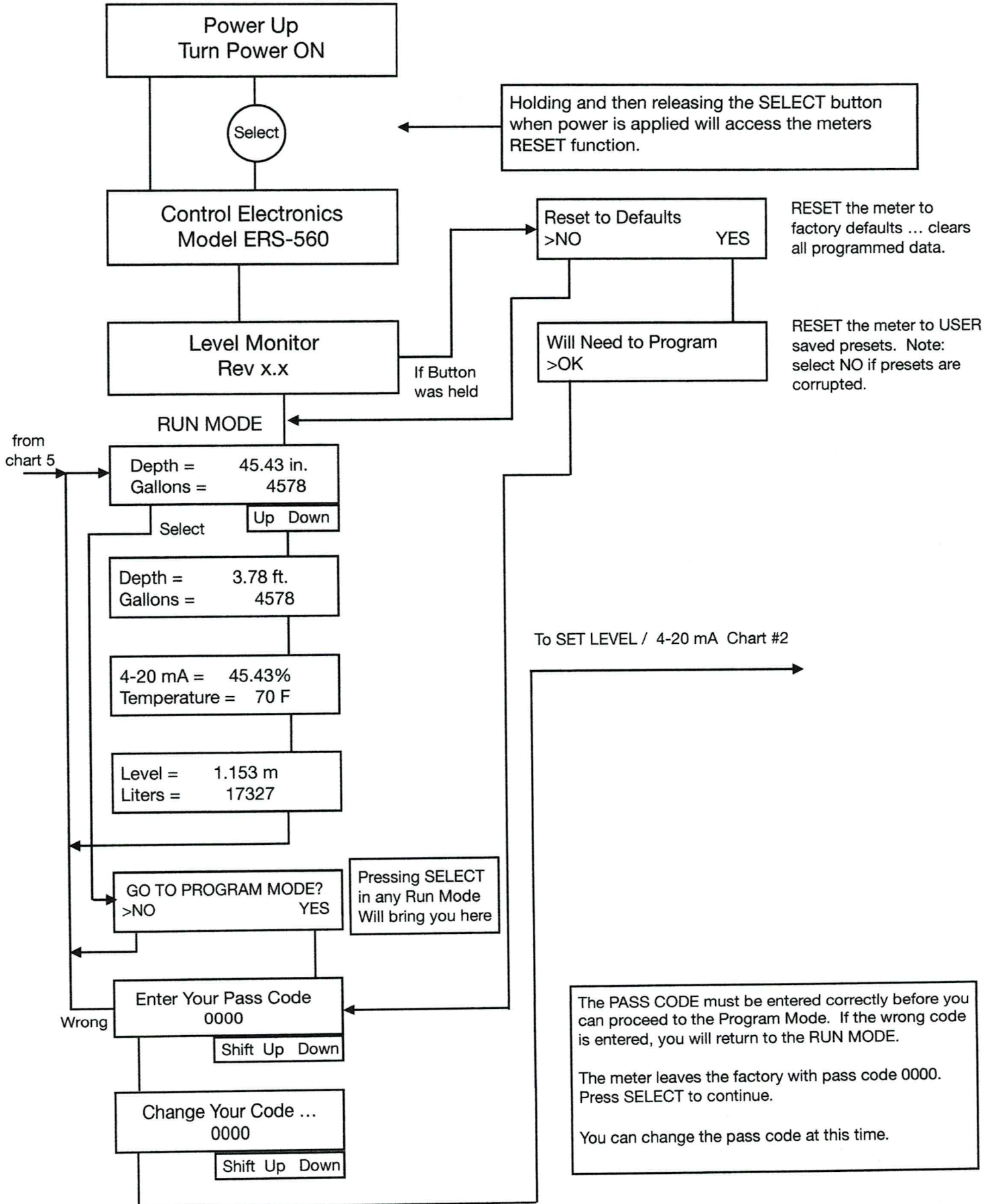
When power is first applied, the ERS-560 meter will run through its POWER-UP windows. It should display 2 windows indicating name of manufacturer, model number, type of meter and the software revision number. The process takes a few seconds and will then enter the RUN MODE. The meter will display the window that was ON (selected) prior to turning power 'OFF'. To select or scroll through the RUN MODES, use the UP/DOWN buttons. Each press of the button takes you to the next window. Selecting any of the RUN MODES will not affect the 4-20 mA. output or any of the programmed settings. The meter begins monitoring level automatically.

To enter the PROGRAM MODE, press the SELECT button. You will be asked GO TO PROGRAM MODE?. Press YES. You will be asked for the PASS CODE before you can enter into the PROGRAM MODES. The pass code is 0000 when it leaves the factory and will remain this until you change it. Press SELECT. If you like to change the code at this time, use the SHIFT, UP and DOWN buttons to enter your new pass code then press SELECT. This stores your new code. You now have access to the program section. If the incorrect pass code is entered, you will be returned to the RUN MODE.

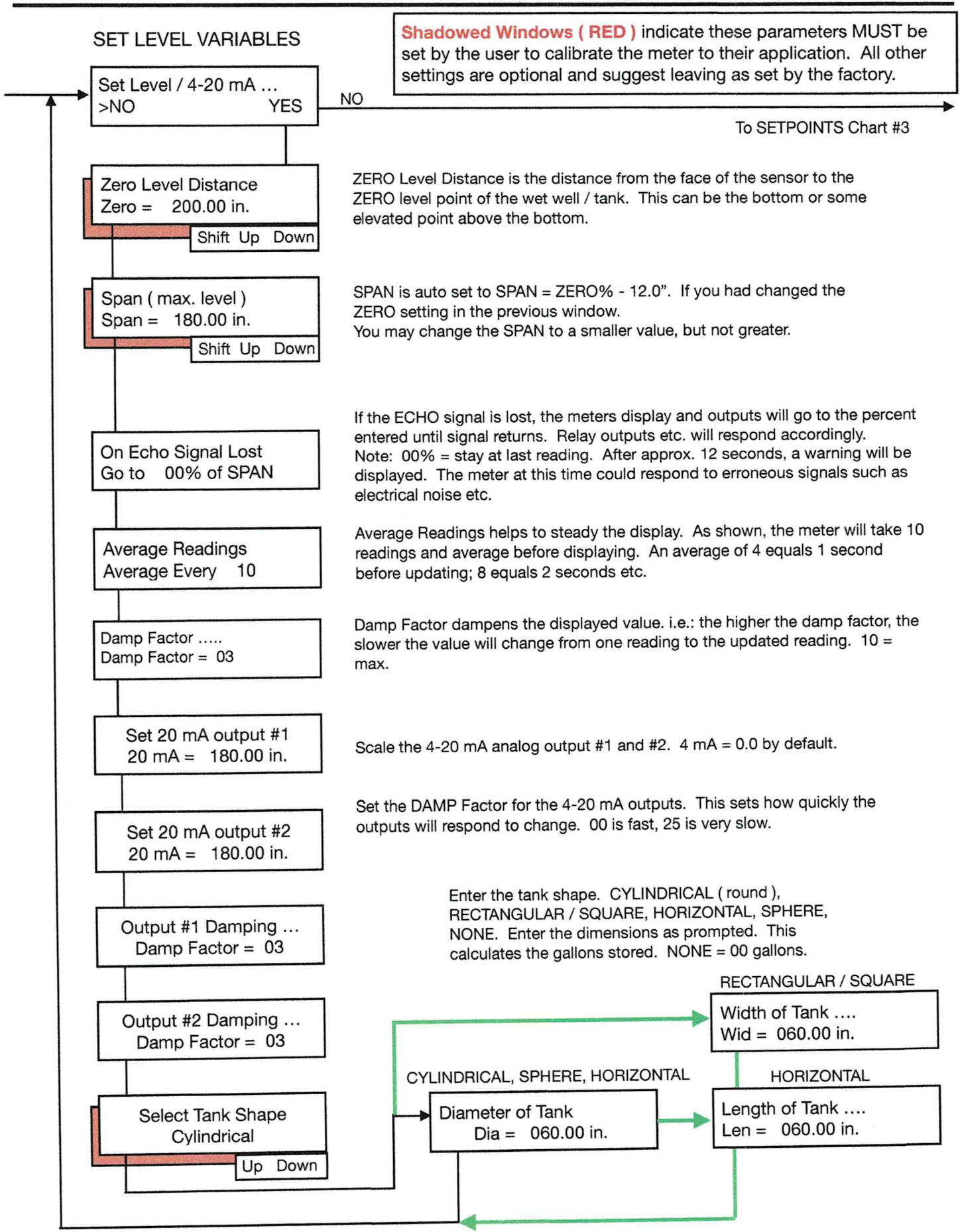
REMEMBER YOUR PASS CODE!!!

Once you entered the PROGRAM MODE you can scroll through it by pressing the SELECT button. The SELECT button performs three functions: 1] NO, 2] ENTER and 3] NEXT WINDOW. Use the SHIFT, UP and DOWN buttons to change the values in each window as needed. The DOWN button is used to select YES when data values are not displayed. The Programming Flowchart will guide you through the many features and functions available to you. A brief explanation for each window/function is provided in the flowchart.

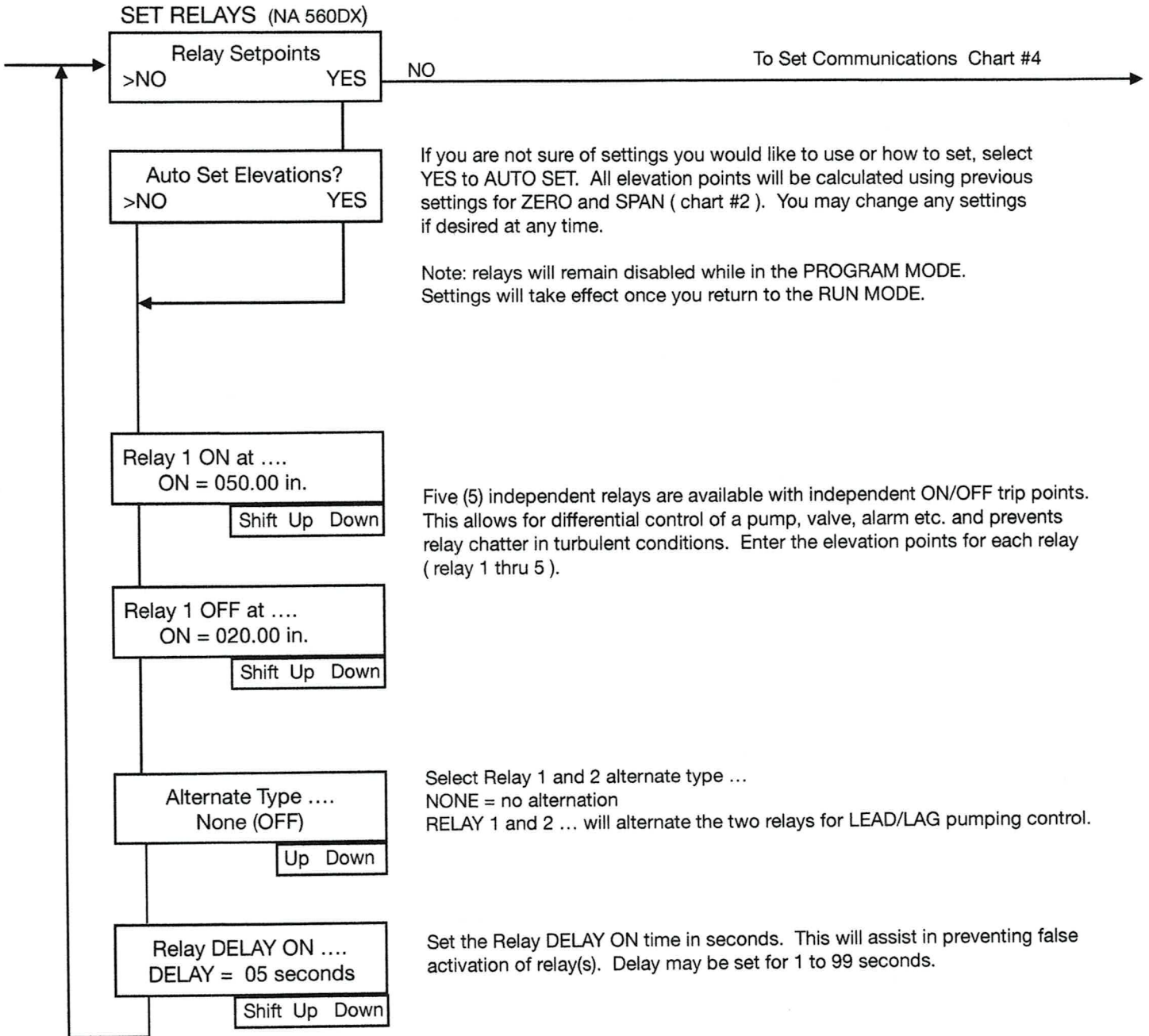
ERS-560 Level Meter Program Flowchart #1



ERS-560 Level Meter Program Flowchart #2



ERS-560 Level Meter Program Flowchart #3



If you are not sure of settings you would like to use or how to set, select YES to AUTO SET. All elevation points will be calculated using previous settings for ZERO and SPAN (chart #2). You may change any settings if desired at any time.

Note: relays will remain disabled while in the PROGRAM MODE. Settings will take effect once you return to the RUN MODE.

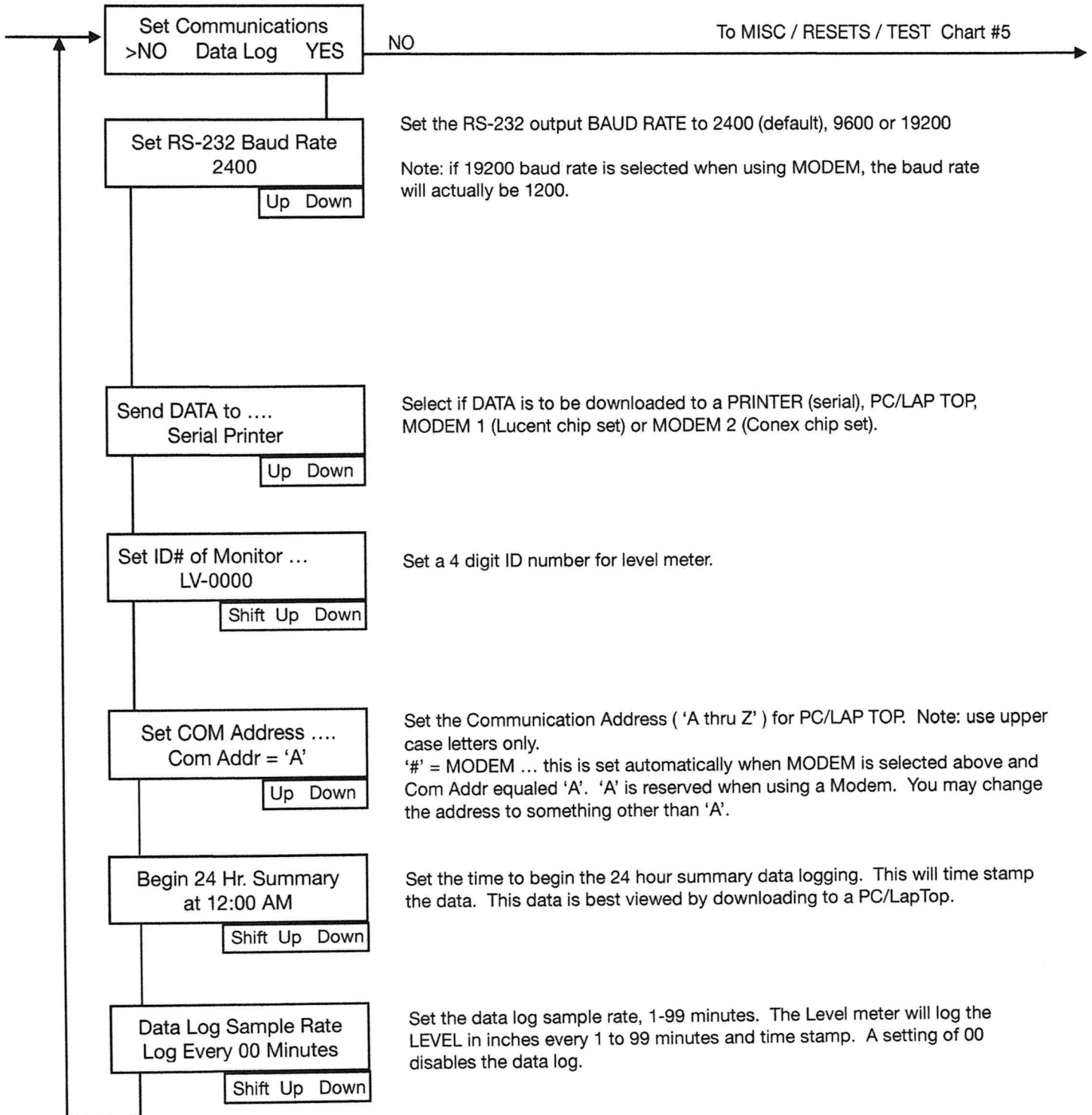
Five (5) independent relays are available with independent ON/OFF trip points. This allows for differential control of a pump, valve, alarm etc. and prevents relay chatter in turbulent conditions. Enter the elevation points for each relay (relay 1 thru 5).

Select Relay 1 and 2 alternate type ...
NONE = no alternation
RELAY 1 and 2 ... will alternate the two relays for LEAD/LAG pumping control.

Set the Relay DELAY ON time in seconds. This will assist in preventing false activation of relay(s). Delay may be set for 1 to 99 seconds.

ERS-560 Level Meter Program Flowchart #4

Communications / Data Log (NA 560DX)



Set the RS-232 output BAUD RATE to 2400 (default), 9600 or 19200

Note: if 19200 baud rate is selected when using MODEM, the baud rate will actually be 1200.

Select if DATA is to be downloaded to a PRINTER (serial), PC/LAP TOP, MODEM 1 (Lucent chip set) or MODEM 2 (Conex chip set).

Set a 4 digit ID number for level meter.

Set the Communication Address ('A thru Z') for PC/LAP TOP. Note: use upper case letters only.

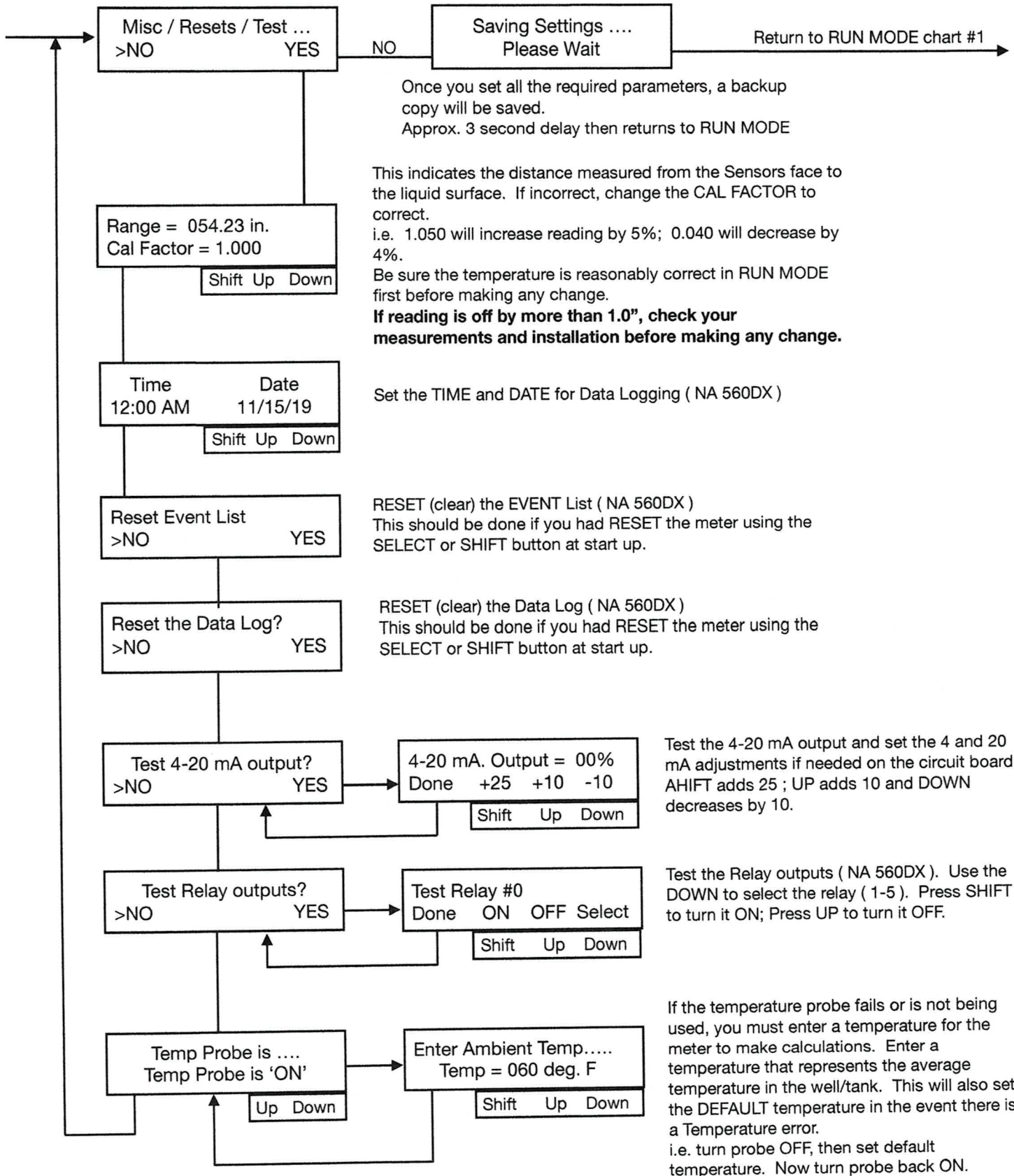
'#' = MODEM ... this is set automatically when MODEM is selected above and Com Addr equaled 'A'. 'A' is reserved when using a Modem. You may change the address to something other than 'A'.

Set the time to begin the 24 hour summary data logging. This will time stamp the data. This data is best viewed by downloading to a PC/LapTop.

Set the data log sample rate, 1-99 minutes. The Level meter will log the LEVEL in inches every 1 to 99 minutes and time stamp. A setting of 00 disables the data log.

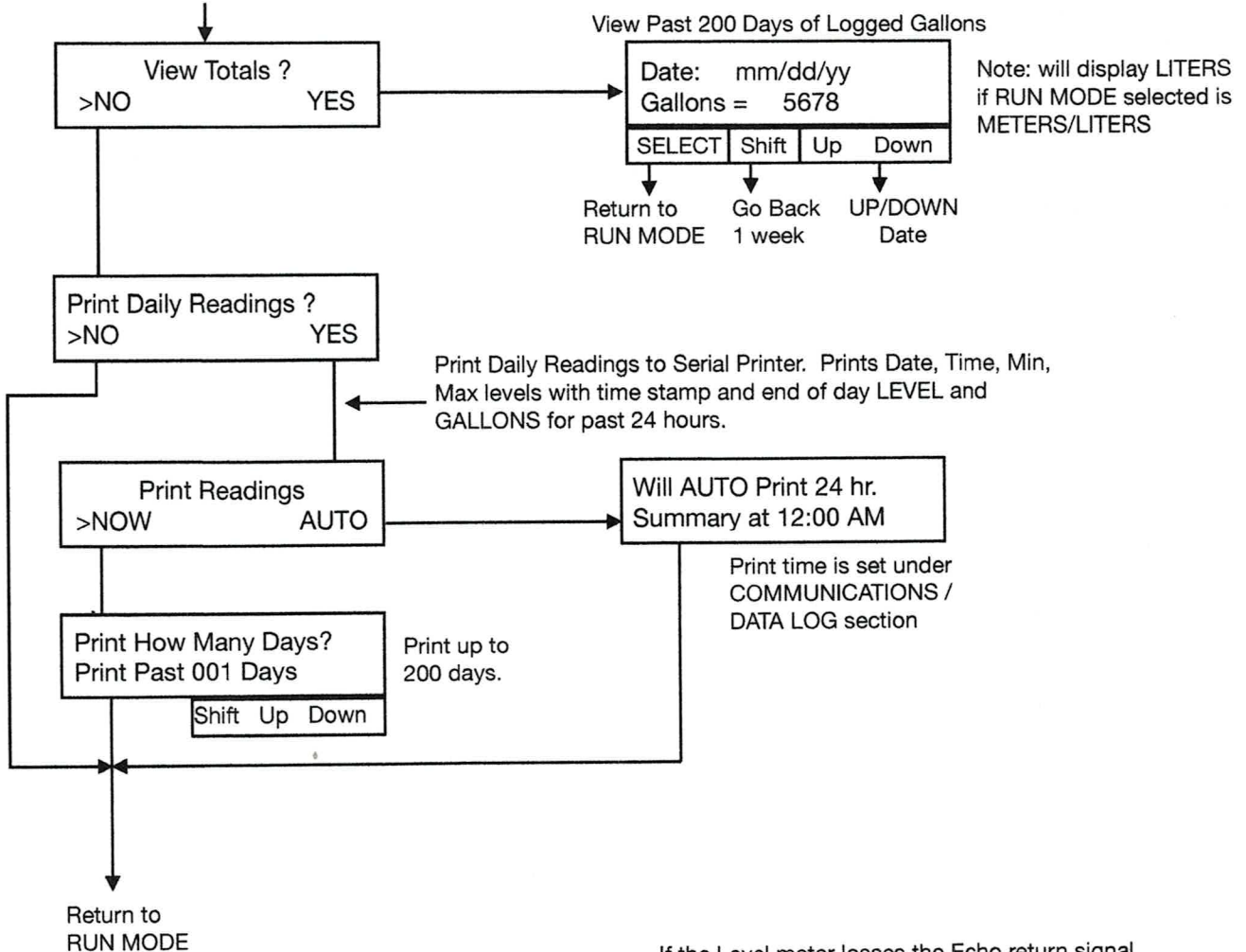
ERS-560 Level Meter Program Flowchart #5

MISC MODE



ERS-560 Level Meter Program Flowchart #6

From Chart #1 (NA 560DX)
when SHIFT (DataLog) is pressed
in the RUN MODE



Display Warnings

Echo Signal Lost!
Check Sensor & Wires

Temperature Error!
Check Probe & Wires

If the Level meter loses the Echo return signal or senses a temperature error (greater than 140° F) or both, a warning will be displayed. If this occurs, check the sensor mounting, installation and wire connections / splices for damage or misalignment.

Other causes of error could be defective sensor and/or temp probe, malfunction of ultrasonic printed circuit card or other. Call factory for assistance.

Press any button to remove warning.